

## TRUX STAINLESS STEEL ACCESSORIES

### KENWORTH T660, 2008 12" SUNVISOR, FACTORY REPLACEMENT

#### INSTALLATION INSTRUCTIONS

**NOTE:** For your convenience, your installation kit includes nutserts that can be used to mount your new visor. This will eliminate the need to remove the headliner of your cab for the bolt-thru option described below. Using the nutserts is a very safe and efficient way to install your visor but for optimum rigidity we recommend bolting it through the cab.

1. Remove lights, bezels and wiring harness from factory visor.
2. Remove factory visor leaving the centre bracket on roof of cab.
3. Peel back plastic from around all mounting holes on visor halves. This will make the visor easier to peel in the final step.
4. Fasten supplied C bracket to existing aluminum bracket on cab roof using 5/16-18 x 3/4 hex head bolts, 5/16 washers and 5/16-18 locknuts leaving loose to allow for adjustment. Ensure that bolt heads are to the inside of the C bracket. (Figure 1)
5. Install centre visor bracket onto C bracket as shown. (Figure 1)

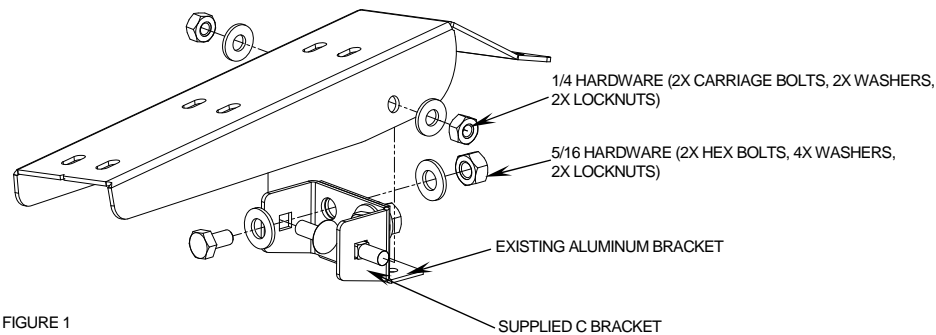


FIGURE 1

6. Mark and drill 9/32 holes into the cab roof for the centre visor bracket.

7. Generously apply silicone around drilled holes before securing the centre bracket with 1/4-20 hex head bolts, 1/4 washers, 1/4 fender washers and 1/4-20 locknuts. (Figure 2)

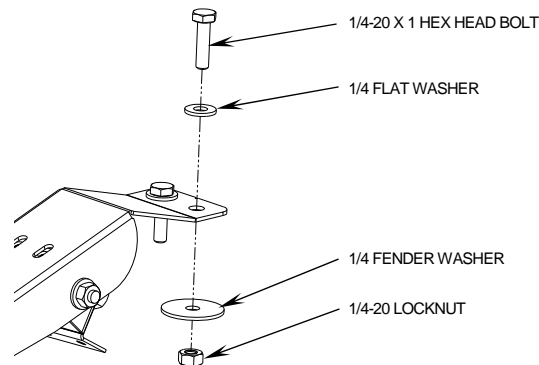


FIGURE 2

8. Fasten remaining two brackets to visor halves with 10-32 x 1/2 pan head bolts, #10 flat washers, and 10-32 lock nuts leaving bolts loose to allow for adjustment.
9. Secure visor halves to centre bracket using the same hardware as in step 7. Bolt visor ends into existing holes on sides of cabs.
10. Once visor is in desired position, mark hole locations for brackets. The feet of the brackets should be slightly above the windshield molding.
11. Remove the visor and drill 9/32 holes in locations marked in step 9.
12. Generously apply silicone around drilled holes before loosely fastening the remaining brackets with 1/4-20 hex head bolts, 1/4 washers, 1/4 fender washers and 1/4-20 locknuts. (Figure 2)
13. Re-install visor halves onto brackets.
14. Once the sunvisor is aligned, tighten all hardware.
15. Install lights and harness using supplied hardware and plastic wire clips.
16. Remove plastic from visor. If needed, clean visor with glass cleaner and a soft cloth.