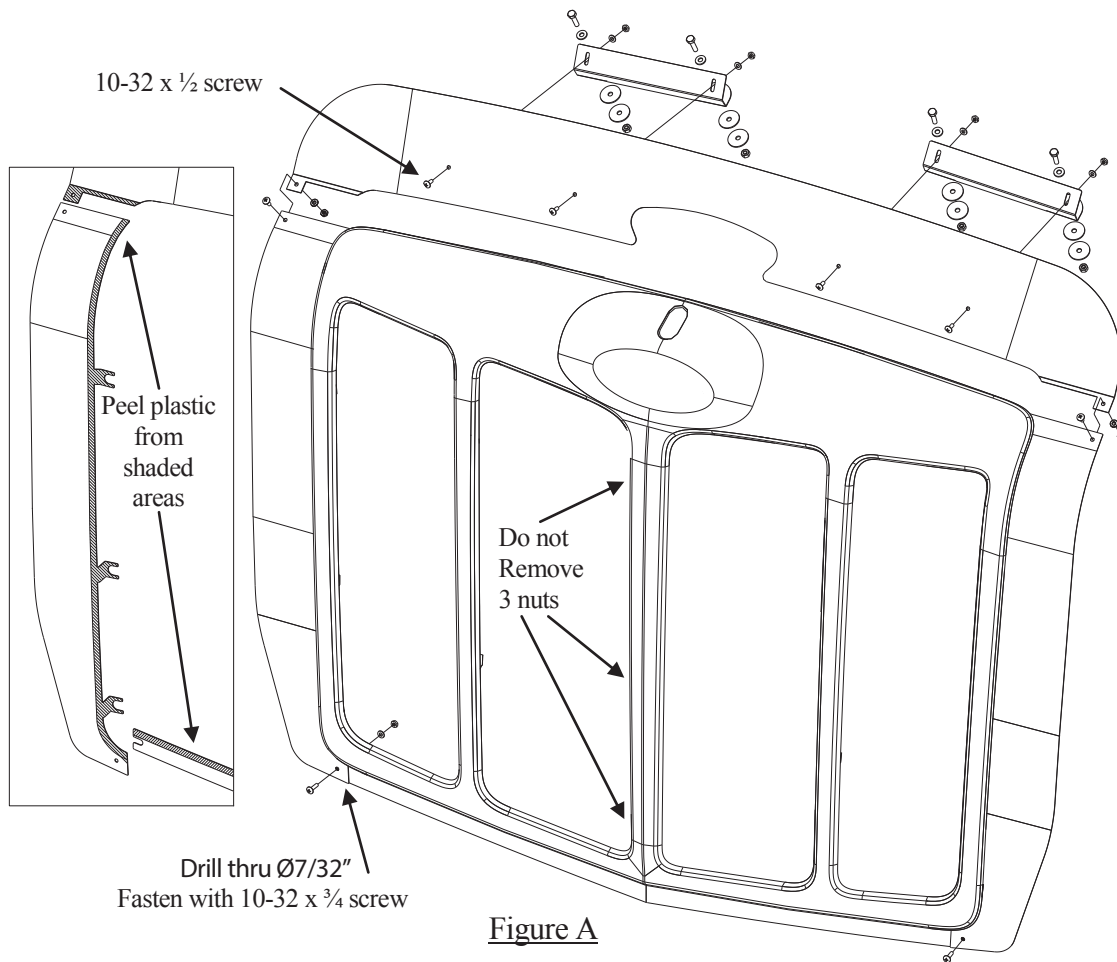


GRILL SURROUND, PETERBILT 579

INSTALLATION INSTRUCTIONS

1. Remove grab handle and all nuts from grill bezel except three as shown in Figure A.
2. Remove plastic from all bolt holes and from shaded areas shown in Figure A.



3. Carefully pry side edges of grill bezel away from hood and insert the 3 prongs of surround side in behind corresponding mounting areas of grill bezel.
4. Push grill bezel back into position securing surround sides and snapping into place. Peeled areas of surround sides should be tucked in behind grill bezel.
5. Attach brackets to surround top according to Figure A. Do not tighten fully. Allow brackets to slide freely.

6. Place surround top assembly on hood and align such that minimal gap exists between the surround top and area where the grill bezel meets with the hood.
7. Fasten the surround top to the surround sides ensuring top tucks behind sides and edges align. Do not fasten fully.
8. Slide brackets into desired position and mark through mounting holes on to hood.
9. Remove surround top assembly and drill through marked holes with $\text{Ø}9/32''$ drill bit.
10. Mark holes on to front of truck through mounting holes on surround sides (see Fig A).
11. Drill through marked holes with $\text{Ø}7/32''$ drill bit (see Fig A).
12. Clean area below grill bezel according to taping instructions provided.
13. Fasten the surround sides/bottom to the truck with 10-32 x $\frac{3}{4}''$ long screws provided. Do not tighten fully in order to allow space for surround bottom in next step.
14. Attach surround bottom by tucking behind grill bezel and surround sides. Align bottom edges of surround. Remove 2 sided tape and attach by peeling from center outwards.
15. Reattach the surround top to the sides ensuring proper fit as in steps 6 & 7.
16. Open the hood carefully ensuring grill bezel and surround stays secured.
17. Fully fasten the grill bezel and handle with fasteners removed in step 1.
18. Fasten the brackets to the truck hood according to figure B.
19. Fully tighten remaining fasteners and remove remaining plastic.

