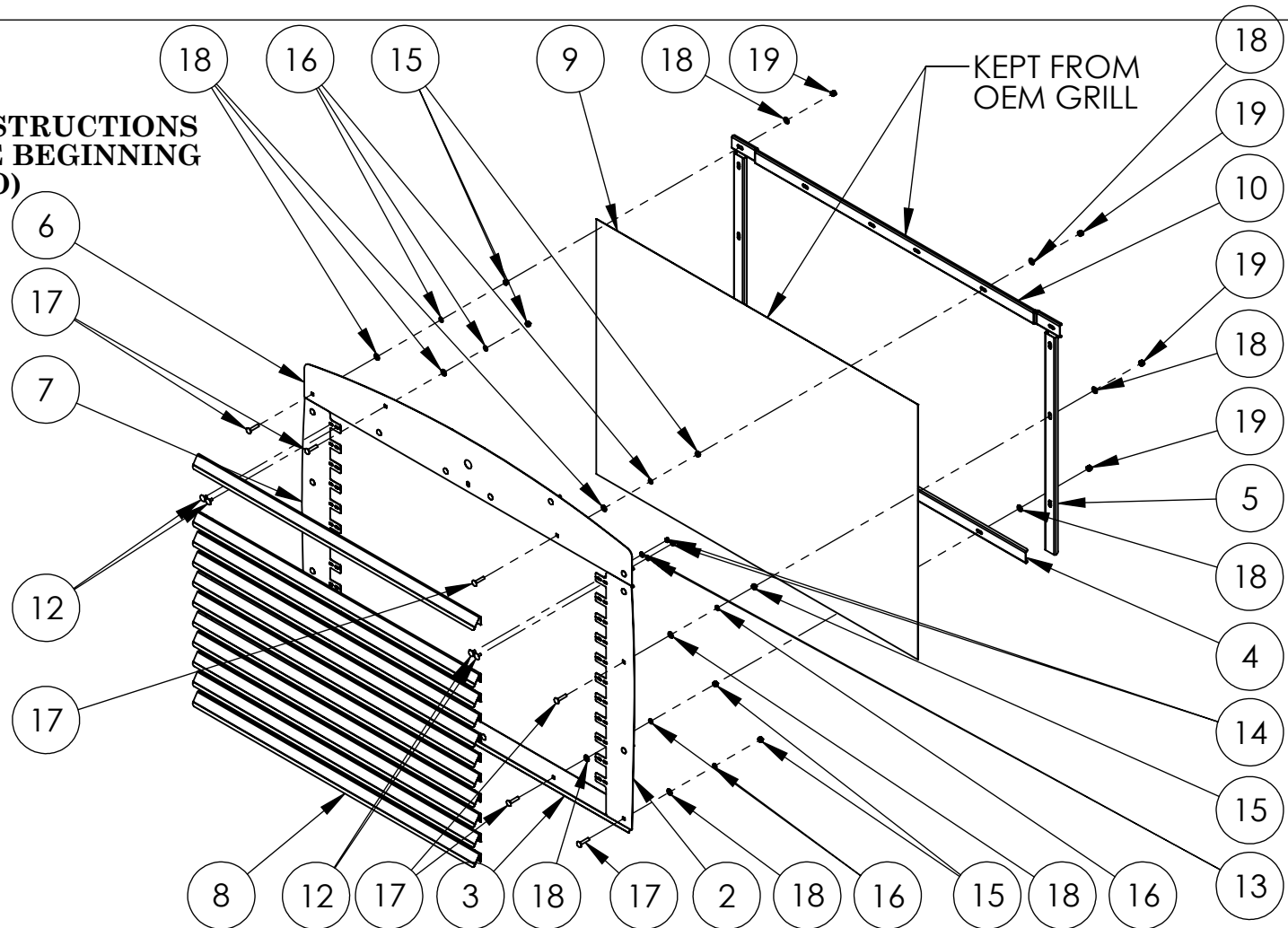
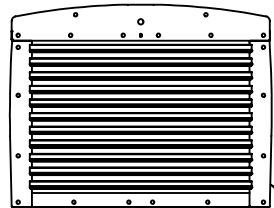


**PLEASE READ THE INSTRUCTIONS COMPLETELY BEFORE BEGINNING (SEE VERSO)**



| ITEM NO. | PART NUMBER | DESCRIPTION                     | QTY  |
|----------|-------------|---------------------------------|------|
| 1        | M7223023CC  | FRONT GRILL                     | REF. |
| 2        | -           | PR7223023-U04                   | 1    |
| 3        | -           | PR7223023-U05                   | 1    |
| 4        | -           | PR7223023-U03                   | 1    |
| 5        | -           | PR7223023-U02                   | 2    |
| 6        | -           | PR7223023-U06                   | 1    |
| 7        | -           | PR7223023-U07                   | 1    |
| 8        | -           | PR7223023-U01                   | 11   |
| 9        | -           | FACTORY WIRE SCREEN (OEM)       | -    |
| 10       | -           | FACTORY UPPER INNER BRACE (OEM) | -    |
| 11       | K7223023BB  | BOLTS KIT INCLUDES :            | -    |
| 12       | -           | CARRIAGE BOLT 10-32NEX1/2"SS    | 44   |
| 13       | -           | FLAT WASHER ID#10 X OD 1/2" SS  | 44   |
| 14       | -           | NYLON LOCK NUT #10-32NF SS      | 44   |
| 15       | -           | HEX NUT 1/4-20NC                | 20   |
| 16       | -           | LOCK WASHER 1/4" SS             | 20   |
| 17       | -           | CARRIAGE BOLT 1/4-20 X 1 1/4"LG | 20   |
| 18       | -           | FLAT WASHER 1/4"SS              | 36   |
| 19       | -           | NYLON LOCK NUT, 1/4-20 UNC      | 16   |

**TRUX ACCESSORIES**

TITLE:  
FRONT GRILL W/11 LOUVER STYLE BARS  
KENWORTH T800

SIZE DWG. NO.  
**ATK-1140**

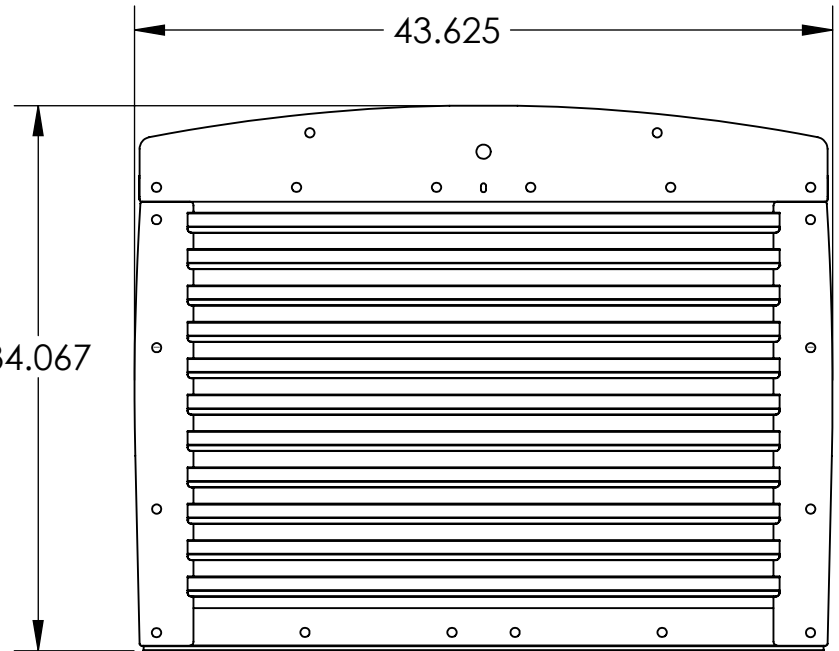
|               |            |     |      |
|---------------|------------|-----|------|
| NAME          | DATE       | REV | DATE |
| DRAWN BY P.W. | 24-11-2008 | PH1 | -    |

SCALE: 1:12      WEIGHT: LBS      SHEET: 1 OF 1

**WARNING**  
**BEFORE BEGINNING THE INSTALLATION OF YOUR NEW GRILL,**  
**ENSURE THAT THE KIT YOU HAVE RECEIVED MATCHES YOUR**  
**TRUCK MODEL**

**INSTALLATION INSTRUCTIONS**

- 1- ARRANGE THE LOUVER BARS AND SURROUND PIECES ON A FLAT SURFACE. THE PART NUMBERS FOR THE SURROUND ARE ETCHED ON THE PARTS AND SHOULD BE ARRANGED AS FOLLOWS: CL7223023-U04 IS DRIVER CL7223023-U07 PASSENGER SIDE, CL7223023-U05 IS THE BOTTOM, CL7223026-U06 IS THE TOP AND CL7223023-U01 ARE THE LOUVERS STYLE BARS. YOU SHOULD ALSO HAVE TWO CL7221023-U02 AND ONE CL7221023-U03.
- 2- REMOVE THE FACTORY SURROUND, FACTORY INNER GRILL, FACTORY WIRE SCREEN AND THE FACTORY UPPER INNER BRACE. THE FACTORY WIRE SCREEN AND THE FACTORY UPPER INNER BRACE WILL BE REINSTALLED LATER.
- 3- TAKE THE -U04, -U05, -U06 AND -U07 PARTS, PEEL THE PVC FILM AWAY.
- 4- INSTALL THE -U04, -U05, -U06 AND -U07 AS ILLUSTRATED, DO NOT TIGHTENED.
- 5- TAKE THE LOUVER STYLE BARS (-U01), PEEL THE PVC FILM AWAY FROM THE BOLT HOLES. USING 1/2" LG CARRIAGE BOLTS, FLAT WASHERS AND LOCKNUTS, INSTALL ONLY THE TOP AND BOTTOM LOUVERS STYLE BARS.
- 6- FULLY TIGHTEN ALL THE CARRIAGE BOLTS ON THE GRILL SURROUND PIECES (-U04, -U05, -U06 AND -U07) AND THE LOUVER STYLE BARS -U01.
- 7- INSTALL THE REMAINING LOUVER STYLE BARS AND FULLY TIGHTEN ALL BOLTS. (AT THIS POINT, ALL BOLTS ON THE REPLACEMENT GRILL SHOULD BE FULLY TIGHTENED).
- 8- LOWER THE HOOD AND PLACE THE SCREEN ON THE BACK SIDE OF THE REPLACEMENT GRILL, THE HOLES IN THE SCREEN SHOULD GO OVER THE RECENTLY INSTALLED BOLTS FROM STEP #4.
- 9- REINSTALL THE FACTORY UPPER INNER BRACE AS ILLUSTRATED FULLY TIGHTEN
- 10- PEEL THE PVC FILM FROM THE TWO -U02 AND THE -U03 PARTS.
- 11- ATTACH THE TWO -U02 RIGHT AND LEFT AND THE -U03 BOTTOM AS ILLUSTRATED.
- 12- TIGHTEN ALL BOLTS AND PEEL THE REMAINING PVC FILM FROM YOUR GRILL.



| <b>TRUX ACCESSORIES</b>                                       |                |             |               |
|---|----------------|-------------|---------------|
| TITLE:<br>FRONT GRILL W/11 LOUVER STYLE BARS<br>KENWORTH T800 |                |             |               |
| SIZE  | DWG. NO.       |             |               |
| <b>A</b>  | <b>TK-1140</b> |             |               |
| NAME  | DATE           | REV         | DATE          |
| DRAWN BY P.W.   | 24-11-2008     | PH1         | -             |
| SCALE: 1:32   |                | WEIGHT: LBS | SHEET: 1 OF 1 |