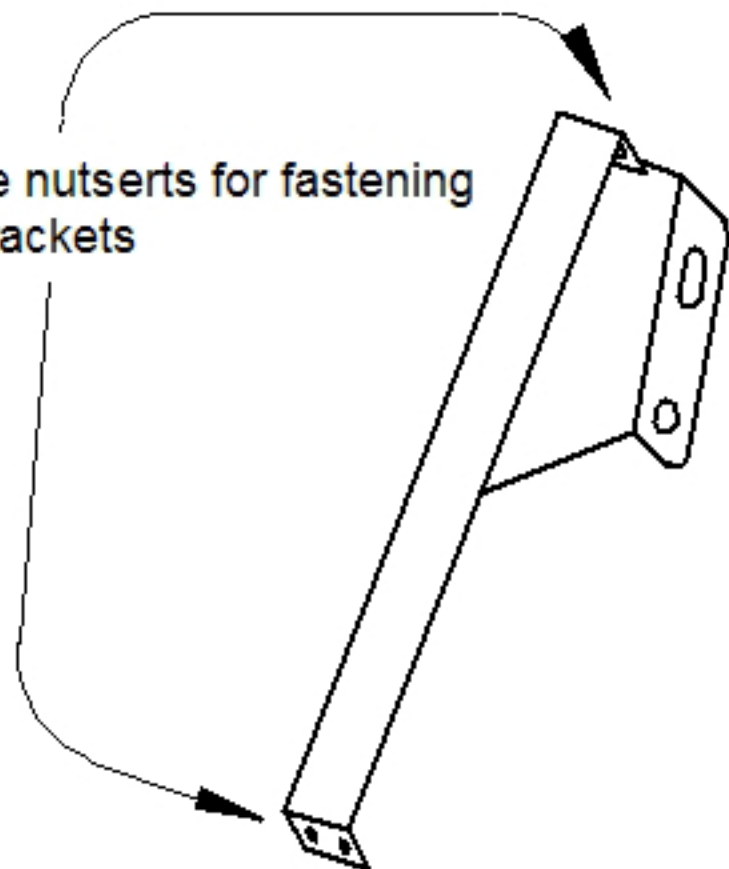


Blind Mount Darwin visor for 2004 and Earlier Ultracab with door mounted mirrors

Ends have nutserts for fastening visor to brackets



Remove factory visor and brackets. Drill out factory holes to 1/2" Install new brackets in factory locations using supplied hardware. Fasten visor skins to brackets using supplied hardware.

