

ITEM NO.	PART NO.	PART NO.	PART NO.	PART NO.	QTY 002 006 007 031	PART NO.	PART NO.	QTY 020 023	DESCRIPTION
1	-	-	-	-	-	-	-	-	SUN VISOR PANEL
2	-	-	-	-	-	-	-	-	SUN VISOR PANEL
3	-	-	-	-	-	-	-	-	HARDWARE KIT INCLUDES:
4	-	-	-	-	-	-	-	-	PR9431020-C02
5	-	-	-	-	-	-	-	-	PR9431020-D01
6	-	-	-	-	-	-	-	-	PR9431020-D02
7	-	-	-	-	-	-	-	-	PR9431020-C01
8	-	-	-	-	-	-	-	-	PR9431020-G01
9	-	-	-	-	-	-	-	-	PR9431020-G02
10	-	-	-	-	-	-	-	-	PR9431020-D03
11	-	-	-	-	-	-	-	-	PR9431020-D04
12	-	-	-	-	-	-	-	-	PR9431020-G03
13	-	-	-	-	-	-	-	-	PR9431020-G04
14	-	-	-	-	-	-	-	-	PR9431020-G05
15	-	-	-	-	-	-	-	-	PR9431020-D05
16	-	-	-	-	-	-	-	-	PR9431020-C03
17	-	-	-	-	-	-	-	-	PR9431020-D06
18	-	-	-	-	-	-	-	-	PR9431020-G06
19	-	-	-	-	-	-	-	-	WELL NUT 1/4"-20NC
20	-	-	-	-	8	-	-	8	GROMMET 5/8" DIX 1 1/8" DE
21	-	-	-	-	-	-	-	4	TRUSS PHILIPS 1/4"-20NCX3/4"SS
22	-	-	-	-	26	-	-	26	HEX NUT 1/4"-20NC
23	-	-	-	-	24	-	-	24	FLAT WASHER 1/4" SS
24	-	-	-	-	30	-	-	32	LOCK WASHER 1/4" SS
25	-	-	-	-	30	-	-	32	HEX BOLT 1/4NC X 1
26	-	-	-	-	4	-	-	4	HEX BOLT 1/4NC X 3/4"
27	-	-	-	-	-	-	-	2	GROMMET 5/16" DIX 21/32" DE

TITLE: SUN VISOR INTERNATIONAL
9000 SERIES LOW ROOF-HIGH RISE-SKY RISE

SIZE DWG. NO.

A

NAME	DATE	REV	DATE
DRAWN BY P.W.			
SCALE: 1:13	WEIGHT: LBS	SHEET: 1 OF 1	

READ ALL INSTRUCTIONS BEFORE BEGINNING INSTALLATION

INSTALLATION INSTRUCTIONS

- 1- REMOVE THE EXISTING SUN VISOR AND KEEP THE FASTENING HARDWARE.
- 2- INSTALL THE BRACKETS #4, 10, 15, 12 & 14 ONTO THE EXISTING HOLES OF THE TRUCK, (THE CENTRAL AND OUTSIDE SUPPORT AS ILLUSTRATED)
- 3- TEMPORARILY INSTALL THE SUN VISOR ON THE BRACKETS ATTACHED TO THE SUPPORT, AS ILLUSTRATED.
- 4- SELECT WHICH BRACKETS YOU MAY NEED BETWEEN 11 & 13 OR 17 & 18.
- 5- INSTALL BRACKET #11 & 13 OR 17 & 18 ONTO THE SUN VISOR AS ILLUSTRATED.
- 6- USING THE SUN VISOR, MARK BRACKETS #11 & 13 OR 17 & 18 AND BOTH END HOLES ON THE CAB.

ATTENTION

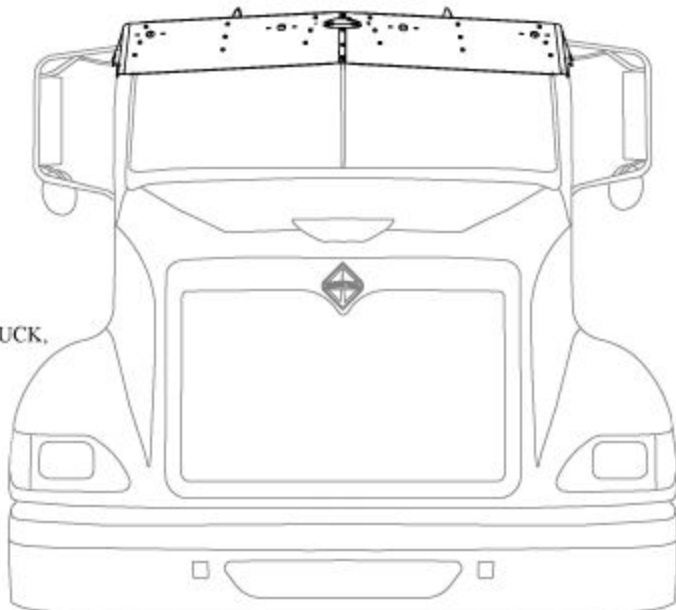
REMOVE SUN VISOR BEFORE DRILLING TO PREVENT DAMAGE

- 7- DRILL THE PREVIOUSLY MARKED HOLES AT $\varnothing \frac{1}{2}$ " ($\varnothing .5$ ").
- 8- INSERT THE WELL NUTS IN THE HOLES. IF NO LIGHTS GO TO STEP # 12.
- 9- INSTALL THE LIGHTS ON LEFT AND RIGHT-HAND SIDE.
- 10- MAKE THE LIGHTS CONNECTION AND DIRECT WIRE TOWARDS THE CENTER.
- 11- CUT THE 4 LARGER GROMMETS, AND INSTALL THEM ON THE BRACKETS AS ILLUSTRATED.
- 12- TEMPORARILY INSTALL THE SUN VISOR USING THE FASTENING HARDWARE, BUT DON'T COMPLETELY TIGHTEN FOR EASIER ADJUSTMENT. IF NO LIGHTS, GO TO STEP # 17.
- 13- INSTALL AND CONNECT THE CENTRAL LIGHT TO THE OTHER LIGHTS.
- 14- INSTALL THE WIRE COVERS FROM OUTSIDE TO CENTER (#8, 5 & 6, 9) FINISHING WITH THE CENTRAL WIRE COVER (#7).

CAUTION

IT IS THE RESPONSIBILITY OF THE INSTALLER TO PLAN AHEAD THE ADEQUATE ELECTRICAL CONNECTION ACCORDING TO THE STANDARDS OF THE TRUCK MANUFACTURER AND DOT REGISTRATION.

- 15- PASS THE CONNECTOR THROUGH THE GROMMET OF THE CENTRAL WIRE COVER AND CONNECT IT TO THE HARNESS ON THE TRUCK.
- 16- INSTALL ITEM #16 AS ILLUSTRATED.
- 17- FINALLY TIGHTEN ALL BOLTS AND SCREWS FIRMLY.



TITLE: SUN VISOR INTERNATIONAL
9000 SERIES LOW ROOF-HIGH RISE-SKY RISE

SIZE DWG. NO.

A

NAME	DATE	REV	DATE
DRAWN BY P.W.			-
SCALE: 1:12	WEIGHT: LBS	SHEET: 1 OF 1	