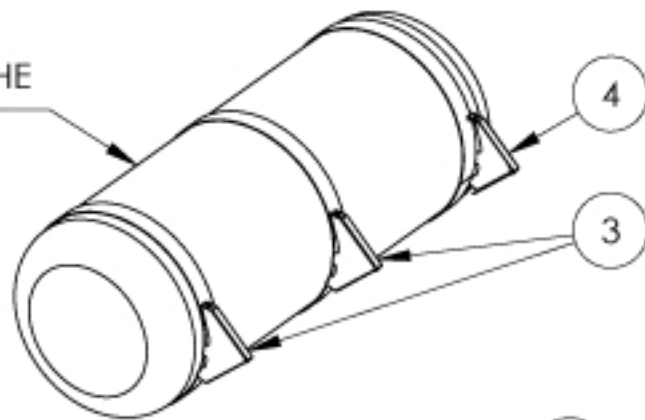
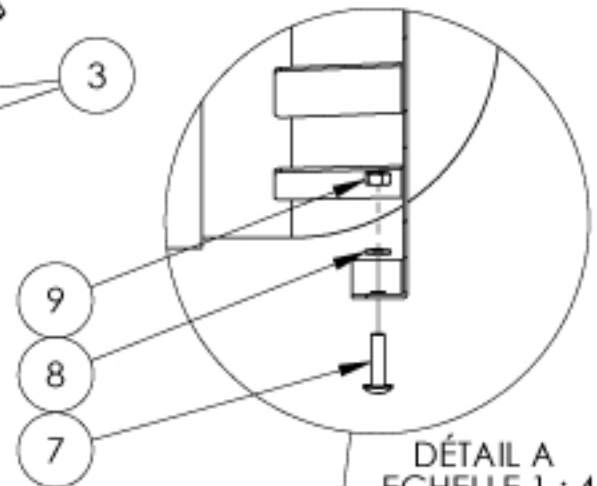


ON THIS VIEW THE SKIRT IS HIDDEN



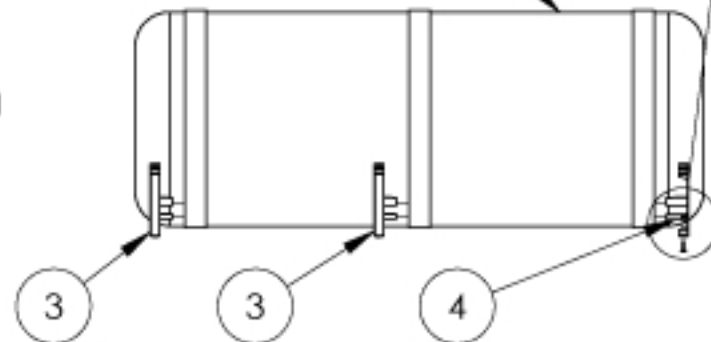
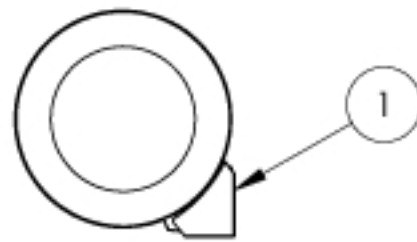
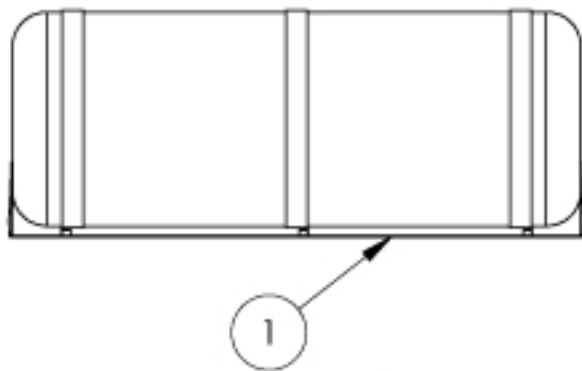
INSTALLATION INSTRUCTION

- 1- LOOSEN THE STRAP OF THE TANK.
- 2- TO SLIDE THE SUPPORTS TONGUE BETWEEN THE RUBBER AND THE STRAP.
- 3- LIGHTLY TIGHTEN THE STRAP TO BE ABLE TO POSITION THE SUPPORTS.
- 4- INSTALL THE SKIRT ON THE SUPPORTS USED THE PROVIDED HARDWARE.
- 5- LAST CHECK TO THE SKIRT POSITION MAKE SURE IT'S OK.
- 6- TIGHTEN ALL BOLTS AND SCREWS.



DÉTAIL A  
ECHELLE 1 : 4

ON THIS VIEW THE SKIRT IS HIDDEN



ITEM NO.	PART NO.	DESCRIPTION	QTY
1	-	FUEL TANK SKIRT	1
2	-	HARDWARE KIT INCLUDES:	-
3	-	PR9271001-G00	2
4	-	PR9271001-D00	1
7	-	TRUSS PHILIPS 1/4-20NCX1"SS	6
8	-	LOCK WASHER 1/4" SS	6
9	-	HEX NUT 1/4-20NC	6

TITLE: FUEL TANK SKIRT			
SIZE A	DWG. NO.		
NAME	DATE	REV	DATE
DRAWN BY	-	-	-
SCALE: 1:24	WEIGHT: LBS	SHEET: 1 OF 1	