

# FLEET ENGINEERS

1800 EAST KEATING AVENUE  
MUSKEGON, MI 49442  
PH: 1-800-333-7890 • F: 231-777-2720

## Installation Sheet #INS-98009

### Single/Double Radius Fender & Bracket Installation Instructions

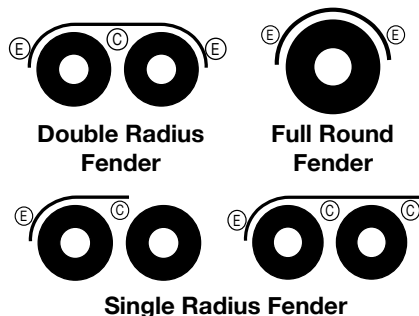
#### Step 1

##### Determine proper fender position for your application.

Position fender over tire(s). Use a 2"x 4" block or other suitable spacer to achieve desired clearance around tires. For optimum performance, the fender should be 3" to 6" from tire. (S.A.E. recommendation is 3" minimum) **NOTE:** If you have an air suspension, make sure there is tire clearance when the suspension is deflated.

The figure below shows general locations of mounts on various fenders (E=end mount, C=center mount). Place bracket against fender and frame, mark the location of the mounting holes on the frame.

The mounting support brackets and fenders are purposely not pre-drilled because of the many vehicle variations and side frame clearance problems. Drilling to suit offers added flexibility for mounting without defacing the fender with unnecessary holes.

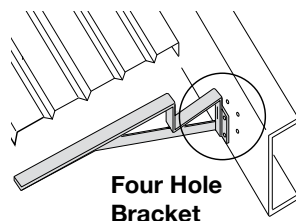


#### Step 2

Attach Mounting Brackets  
Use appropriate instructions

##### A. 4 Hole Bracket

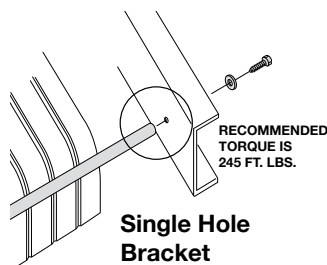
Drill four 7/16" holes on marks and fasten mounting bracket to frame. Hardware needed: Four 3/8"- hex bolts and four 3/8"-16 nuts per mount (not supplied).



Four Hole Bracket

##### B. Single Hole Bracket

Drill 11/16" dia. hole on mark and fasten mounting bracket to frame using one 5/8" - 11 x 1-3/4" grade 8 NY-lock bolt and one 5/8" split lock washer, supplied.



Single Hole Bracket

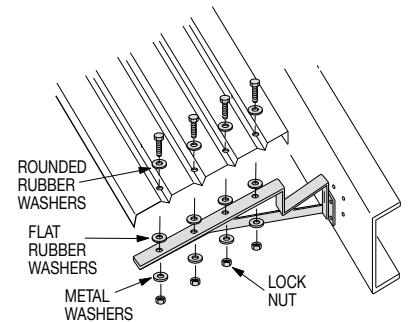
**Be sure to follow truck manufacturers recommended procedures for drilling any required holes in the frame**

#### Step 3

Next, position fender on mount support brackets and attach according to mount type listed below. **NOTE:** Rubber washers **MUST** be assembled next to the fender as shown

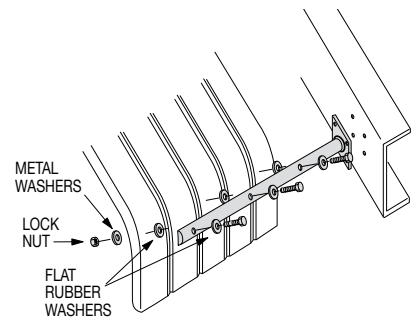
##### A. Standard Center Mount Assembly

Drill four 3/8" holes through lower ribs of fender and through mounting support bracket. Fasten fender to mount as shown. Hardware supplied: four 5/16"-18 x 1" bolts, four 5/16"-18 lock nuts, four 5/16" metal washers and eight rubber washers.



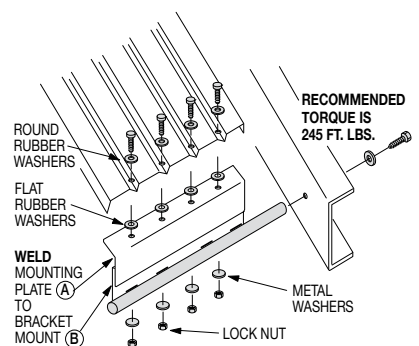
##### B. End Mount Assembly

Drill three 3/8" holes through flat ribs of fender and through mounting support bracket. Fasten fender to mount as shown. Hardware supplied: three 5/16"-18 x 2-1/2" bolts, three 5/16"-18 lock nuts, three 5/16" metal washers and six rubber washers.



##### C. Post Style Center Mount Assembly

Drill four 3/8" holes through lower ribs of fender and through mounting plate. Adjust to desired position and weld plate to bracket mount as shown. Hardware supplied: Four 5/16"-18 x 1" bolts, four 5/16"-18 lock nuts, four 5/16" metal washers and eight rubber washers.



##### D. Post Style End Mount Assembly

Drill three 3/8" holes through flat ribs of fender and through mounting support bracket. Fasten fender to mount as shown. Hardware supplied: Three 5/16"-18 x 2-1/2" bolts, three 5/16"-18 lock nuts, three 5/16" metal washers and six rubber washers.

