

Fre -3189

Figure 1

Take Off Original Visor & Grind Off Original Brackets From Truck. Grind The "Huck Bolt" To Take Brackets Off

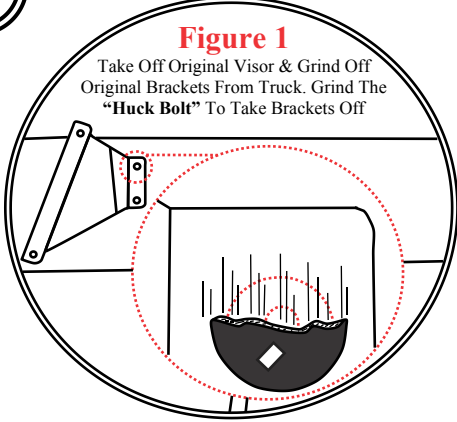


Figure 2

Assemble The Visor Together With The Brackets But Remember To Hand Tighten Them. Once You Have The Visor Together Place It On The Truck And Put The Side Screws On & Hand Tighten Them. Mark The Brackets Holes With A Marker And Then Take Off The Visor. Drill With 1/2 Drill Bit

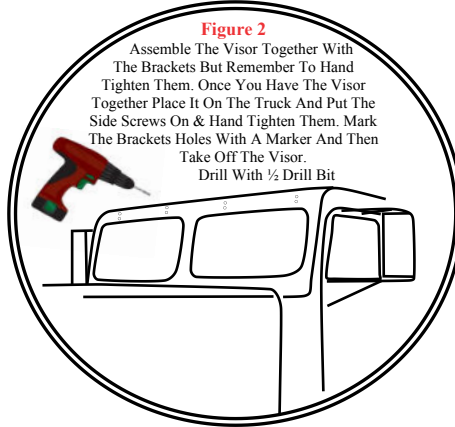


Figure 3

Put on New Brackets & Tighten Them On To The Truck

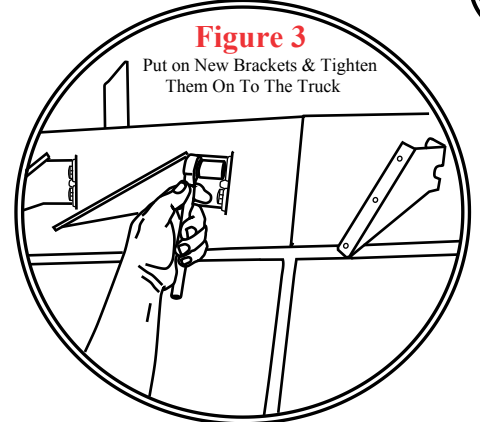


Figure 4

Now Place The Visor On Top Of Brackets & Put On All Screws on Visor & Tighten All Of Them Starting w/ The Side Ones, Then The Middle & finally The Last Ones Next To The Middle Ones

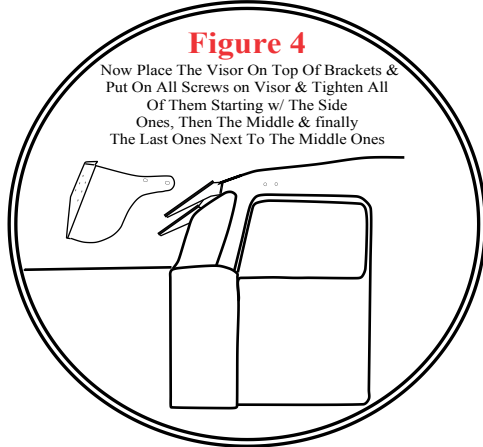
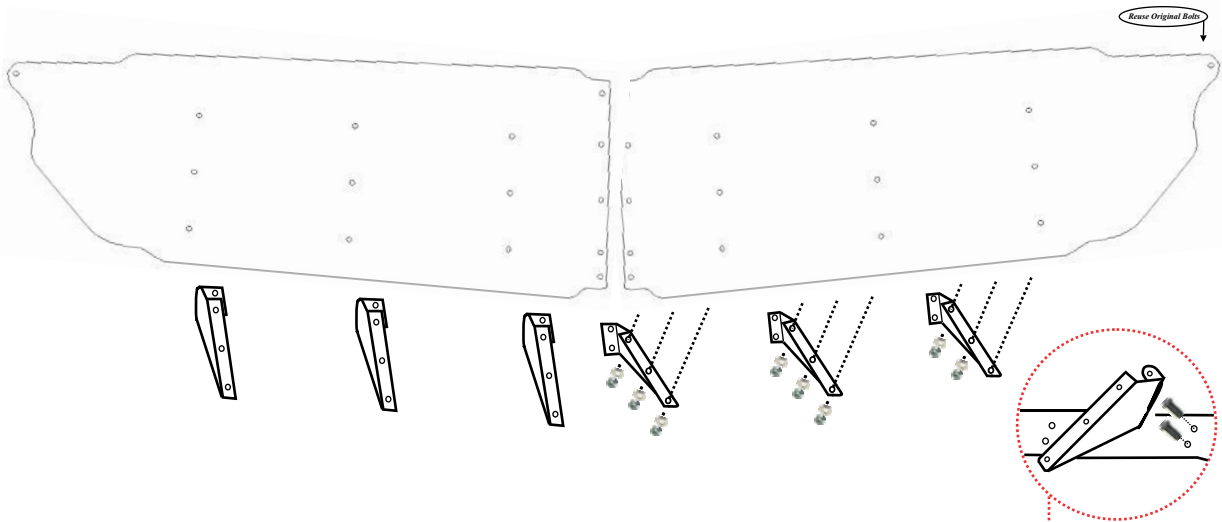
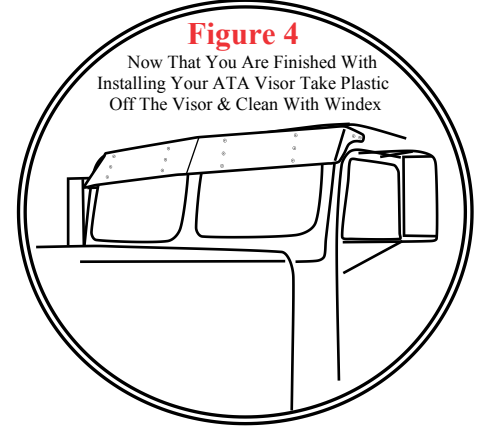



Figure 4

Now That You Are Finished With Installing Your ATA Visor Take Plastic Off The Visor & Clean With Windex



Bolt Kit

| | | | |
|---|---------|----------------|------------------|
|  | QTY: 15 | Pan Phillips | 1/4 - 20 x 3/4 |
|  | QTY: 40 | Flat Washer | 1/4 x 5/8 |
|  | QTY: 10 | Weld Nut | 1/4 - 20 x 1" |
|  | QTY: 10 | Hex Head | 1/4 - 20 x 1 1/4 |
|  | QTY: 15 | Nylon Hex Nuts | 1/4 x 20 |

