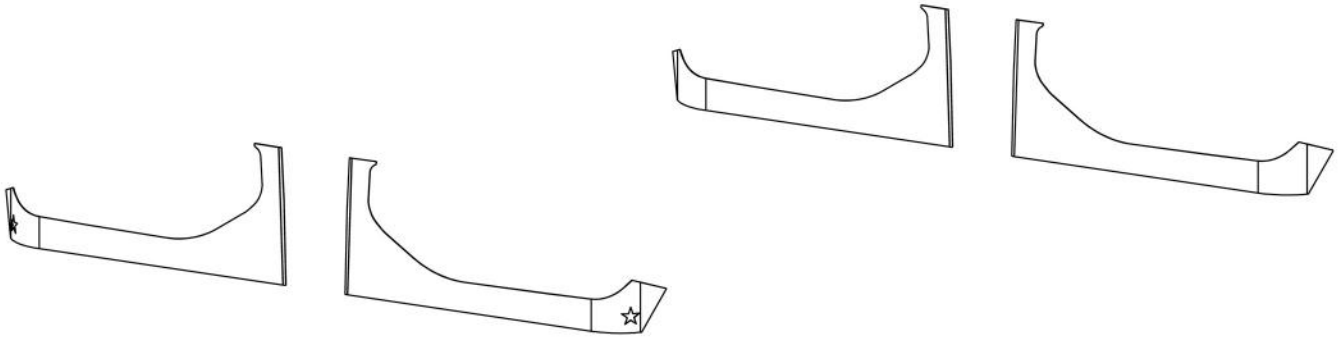


# ASSEMBLY INSTRUCTIONS



MODELS & YEARS:

49X 2021&UP  
SBA SHORT HOOD

TITLE:  
FRONT FENDER GUARD  
INSTALLATION

DWG. NO.

SIZE

A

NAME

DATE

DRAWN BY

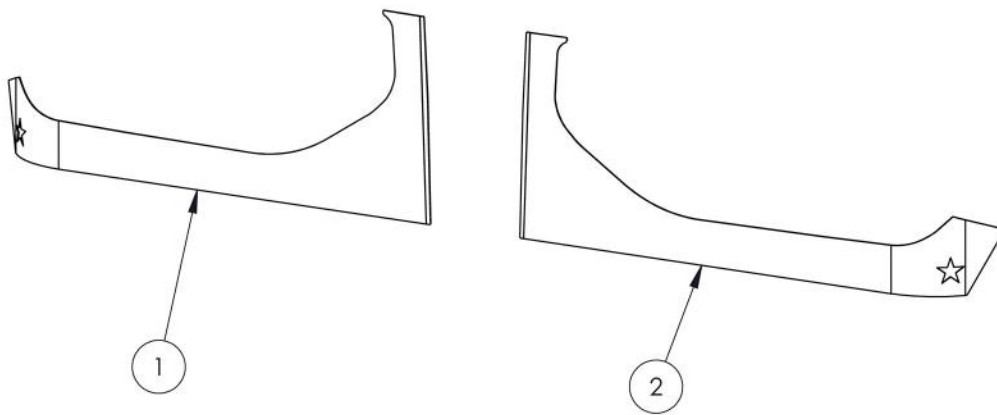
G.L.

2021-03-12

SCALE: 1:12

WEIGHT: LBS

SHEET: 1 OF 5



TITLE: FRONT FENDER GUARD INSTALLATION

ITEM					DESCRIPTION	QTY
1					FRONT FENDER GUARD	1
2					FRONT FENDER GUARD	1

SIZE	DWG. NO.			
A	NAME	DATE	REV	DATE
	DRAWN BY	G.L.	2021-03-12	0
	SCALE: 1:8	WEIGHT: LBS	SHEET: 2 OF 5	

# INSTALLATION INSTRUCTIONS

**BE SURE TO READ AND UNDERSTAND ALL INSTRUCTIONS  
BEFORE BEGINING INSTALLATION**

**CAUTION:**

- TO PREVENT DAMAGES TO THE PIECES, REMOVE STAINLESS STEEL PROTECTIVE SHEET ONLY WHEN THE INSTALLATION IS COMPLETED.

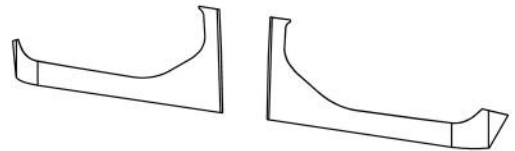
**REQUIRED MATERIAL:** SOAPY WATER, CLEAN PIECES OF CLOTH (NO PAPER TISSUES) AND ISOPROPYL ALCOHOL

**INSTRUCTIONS:**

1- READ 3M TAPE INSTRUCTION (PAGE 5) AND PREPARE SURFACES.

2- INSTALL PANEL UNDER FRONT LIGHT BEAM , ADJUST POSITION OF PIECE WITH LIGHT CONTOURS AND SIDE RADIUS. GLUE IT IN PLACE (FOR 3M TAPE INTSTALLATION TIPS SEE PAGE 5).

3- REMOVE STAINLESS STEEL PROTECTIVE SHEET.



**MODELS & YEARS:**

49X 2021 & UP  
SBA SHORT HOOD

TITLE: <b>FRONT FENDER GUARD INSTALLATION</b>		DWG. NO.	SIZE <b>A</b>
		NAME	DATE
DRAWN BY		G.L.	2021-03-12
SCALE: 1:16	WEIGHT: LBS	SHEET: 3 OF 5	

### 3M TAPE

**IMPORTANT: MAKE SURE THAT YOUR HANDS ARE CLEAN OR WEAR CLEAN GLOVES TO INSTALL THE 3M 2 WAYS TAPE**

#### **SURFACE PREPARATION PROCEDURE FOR STICKING 3M ADHESIVE TAPE**

**Note: Do not use BRAKE CLEANER to clean surface.**

- The truck should be in an environment having an ambient temperature of 15 to 30 degrees C.
- Clean well the surface with soapy water. Completely dry the surface.
- Take a clean piece of cloth (no papers tissue), generously dip in isopropyl alcohol and clean the surface till there is no dirt on the cloth. Let the surface dry out (maximum 5 minutes).
- Stick the accessory on to the cleaned surface very carefully and press the accessory on the surface with hands, (The accessory will stick instantly).
- Let the accessory dry for 24 hours for maximum adhesion, before putting the truck in service.

#### **3M PARTS STICKING TIP**

DO NOT ENTIRELY REMOVE THE 3M PROTECTIVE TAPE BEFORE PLACING THE PART. THE ADHESIVE IS VERY STRONG AND TRYING TO REMOVE A MISPLACED PART WILL RESULT IN THE DAMAGE OF THAT PART. FOLLOW THE BOTTOM TIPS FOR EASY ADJUSTMENT AND INSTALLATION

USE THESE TIPS TO LIMIT THE ADHESIVE SURFACE MAKING IT EASY TO REMOVE THE PART TO RE-ADJUST IT, AND ONCE IN PLACE, IT WILL FACILITATE EXPOSING THE REMAINING ADHESIVE WITHOUT HAVING TO DISPLACE THE PART.

- 1-On the part, remove 2" of the protective tape at one end of each short lengths of 3M tape or each end for longer 3M lengths, folding it so it exceeds the part acting as a pull tab.
- 2-Place the part at the proper location on the truck, once the part is to your satisfaction, hold it in place and slowly pull the exceeding protective tape exposing the remaining 3M adhesive while pressing firmly.
- 3-Go over the part again, firmly pressing on the part to ensure good adhesiveness. Pay particular attention to the ends.

	DWG. NO.	SIZE
TITLE:	NAME	DATE
FRONT FENDER GUARD INSTALLATION	DRAWN BY G.L.	2021-03-12
	SCALE: 1:12 WEIGHT: LBS	SHEET: 5 OF 5